

GETTING STARTED GUIDE

NI 9871

4-Port, RS485/RS422 Serial Module



Caution

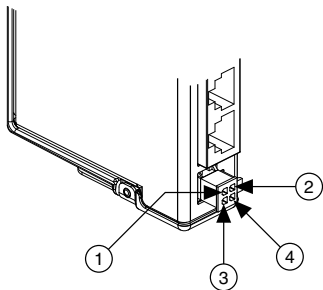


Caution

Table 1. RS485/RS422 Port Pinout

RJ-50 Pin	Signal Name*
------------------	---------------------

Figure 1. Four-Position External Power Connector



1. V_{SUP}

2. V_{SUP}

3. COM

4. COM

Figure 2. Powering the NI 9871 from an Isolated Power Source

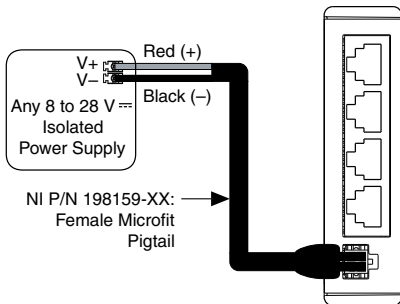
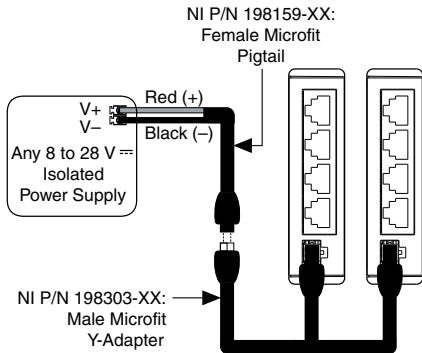


Figure 3. Powering Multiple Modules from a Single Power Supply



RS485 Bus Topology and Termination

Figure 4. 4-Wire Full-Duplex Multidrop Network
Using Terminating Resistors

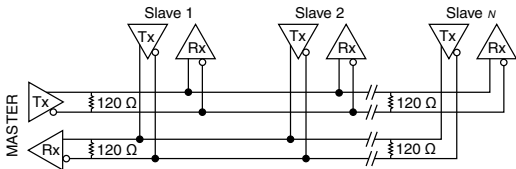
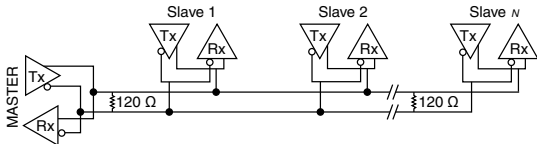


Figure 5. 2-Wire Multidrop Network Using Terminating Resistors




RS485 Transceiver Control

Sleep Mode (CompactRIO Only)

Hazardous Locations

Electromagnetic Compatibility

CE Compliance 

Worldwide Support and Services
